

PRODUCT NUMBER
98414-XXX-XX-XXXLF

PLATING
S = 0.38µm GOLD/GXT ON CONTACT AREA
3.81µm TIN LEAD ON TAIL
G = 0.76µm GOLD/GXT ON CONTACT AREA
3.81µm TIN LEAD ON TAIL
F = GOLD FASH ON CONTACT AREA
3.81µm TIN LEAD ON TAIL

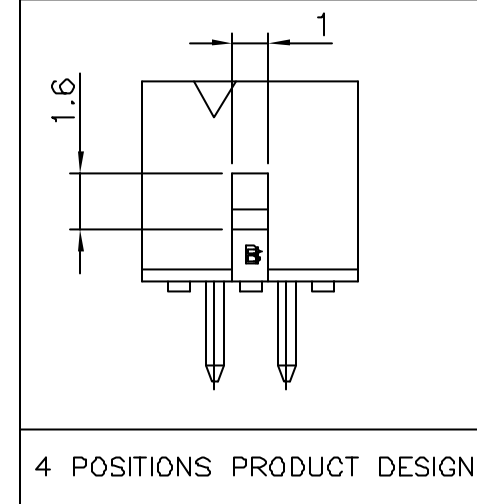
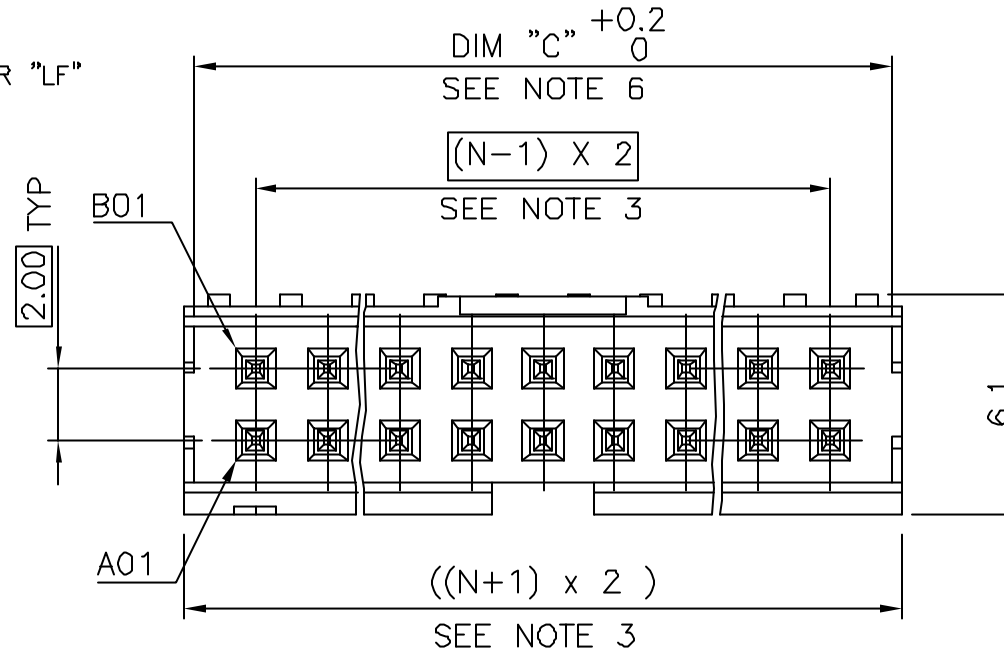
WHEN REQUIRED, ADD SUFFIX LETTER "LF" INDICATES THE PRODUCT IS RoHS COMPATIBLE, SEE NOTE 8

POLARIZATION, SEE NOTE 7

PACKAGING, SEE NOTE 5

TOTAL NB OF POSITIONS, 04 TO 50 POS

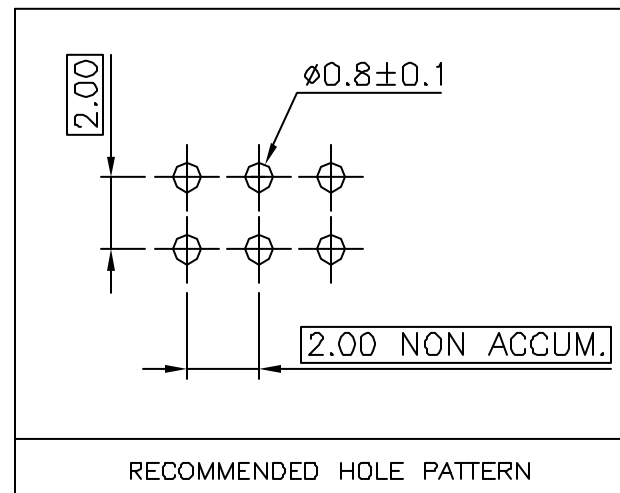
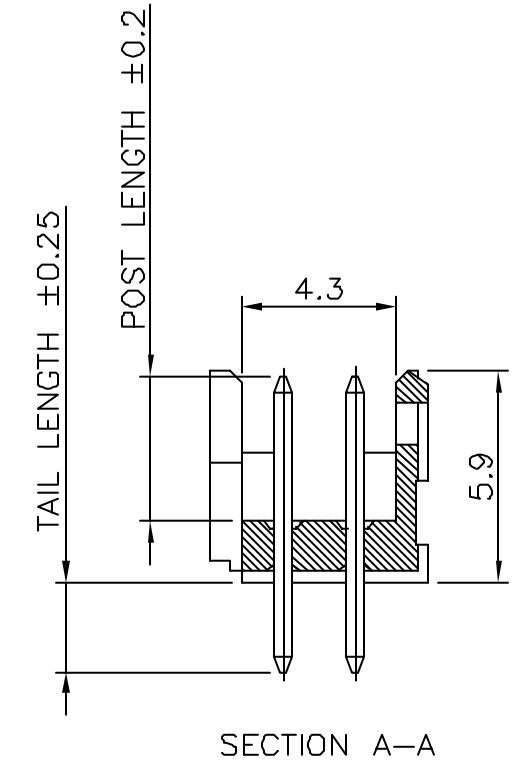
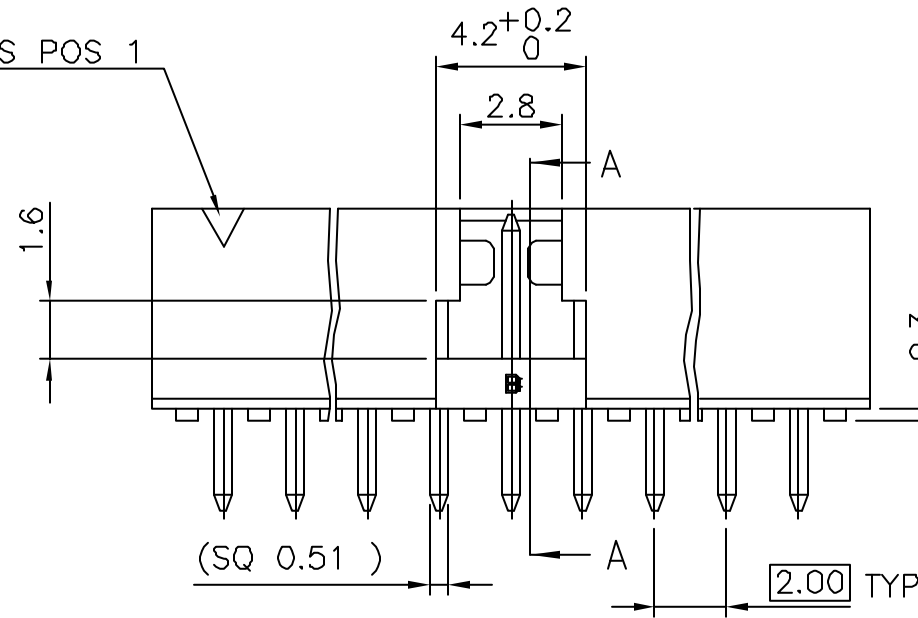
PIN STYLE	POST LENGTH	TAIL LENGTH
06	4.00	2.50
08	4.00	3.10



NOTES:

- MATERIAL HOUSING: HIGH TEMP. THERMOPLASTIC UL 94V-0, COLOR CREAM
- MATERIAL TERMINAL: COPPER ALLOY
- TO DETERMINE DIMENSIONS: N = NUMBER OF POSITIONS PER ROW
- 7N MIN. PIN RETENTION IN EITHER DIRECTION.
- PACKAGING:
= PLASTIC BOX
- = PLASTIC BOX WHEN POLARISATION FEATURE APPLICABLE
U = TUBE AVAILABLE FROM 06 TO 50 POS
- DIM "C" = (N x 2) + 1.4
EXAMPLE: N = 7
DIM "C" = (7 x 2) + 1.4 = 15.4 mm
- FOR POLARIZATION, SPECIFIED PIN
EXAMPLE : A03 = ROW A, POSITION 03 TO OMIT PIN
OMIT FROM PRODUCT NUMBER IF THIS FEATURE IS NOT APPLICABLE.
- RoHS COMPATIBLE PRODUCT SPECIFICATIONS
 - PLATING:
- "LF" MEANS THE PRODUCT IS LEAD-FREE, 2µm MINIMUM MATTE TIN OVER 1.27µm MINIMUM NICKEL UNDERPLATE.
 - MANUFACTURING PROCESS COMPATIBILITY
- THE HOUSING WILL WITHSTAND EXPOSURE TO 260°C ±5°C SOLDER BATH TEMPERATURE FOR 5 SECONDS IN A WAVE SOLDER APPLICATION WITH A 1.6mm MIN THICK CIRCUIT BOARD.
 - LABELLING:
- MEETS PACKAGING SPECS AS PER GS-14-920
 - THIS PRODUCT MEETS EUROPEAN DIRECTIVES AND OTHER COUNTRY REGULATIONS AS DISCRIBED IN GS-22-008.

INDICATES POS 1



mat'l. code				surface	tolerance	projection	product family	
SEE NOTES				ISO 1302	ISO 406	ISO 101	MINITEK	
ltr	ecn	na	dr	tolerances unless otherwise specified		mm	title	
G	F04-0186	LMU	04.05.10	angles	X.X ±0.3			SHR HEADER 2.00 VERTICAL TMT
H	F04-0351	JCO	05.01.13	Linear	X.XX ±0.13	scale 1:1		
J	F05-0278	LMU	05.10.19		X.XXX ±0.05		FCJ	
K	F06-0210	LMU	06.07.05	dr	LMULIN	04.09.27		dwg no
L	F08-0113	LMU	08.01.17	engr	J.COMPAGNON	04.09.27	sheet 1 of 2	
M	F08-0145	ELA	15.04.08	chr			size	
				appd	JM.C	04.09.27	98414	
sheet	revision	M	A					A3
index	sheet	1	2					type
								CUSTOMER Drawing

1

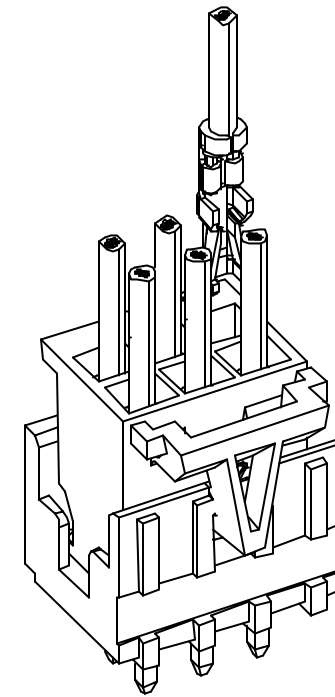
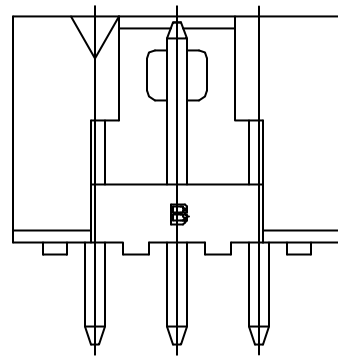
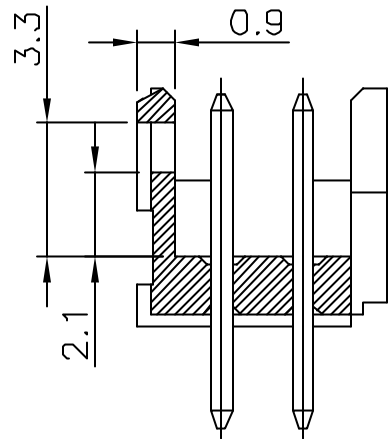
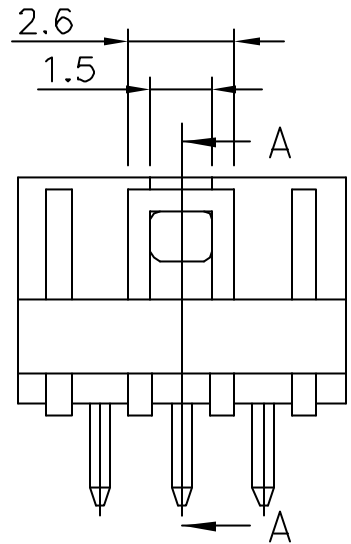
2 3

4

5

6

2x3 POS AND 2x4 POS CONFIGURATION
NO LATCHING AVAILABLE FOR 2x2 POS

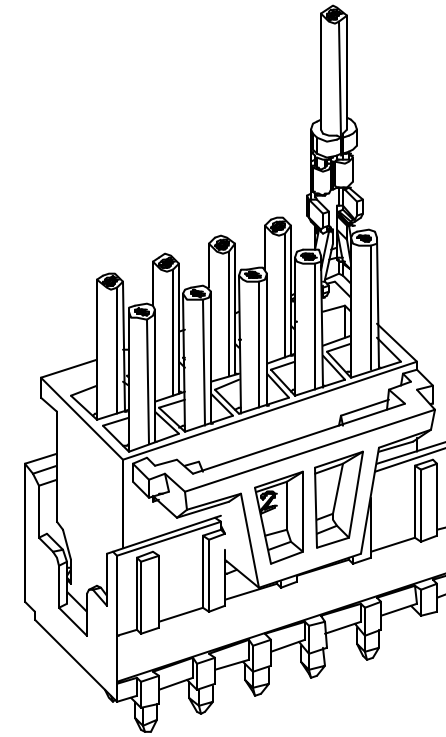
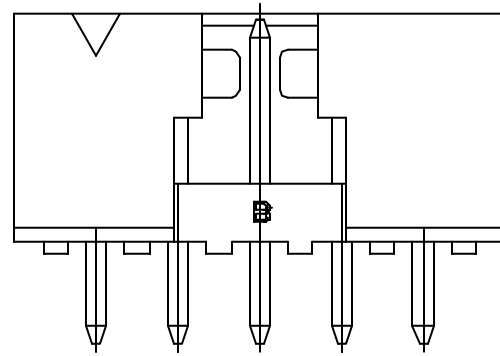
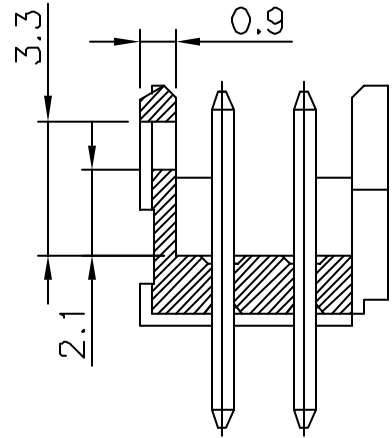
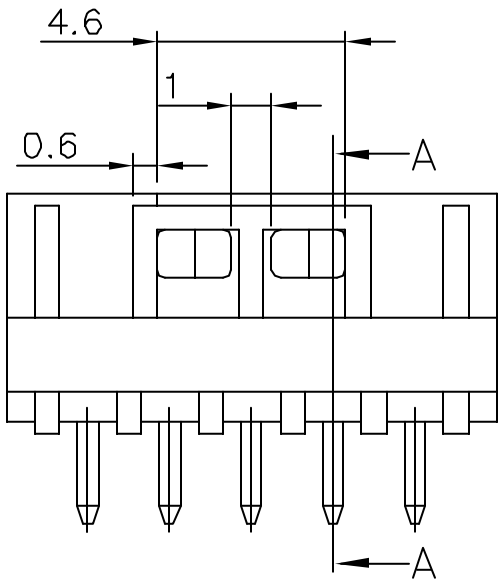


A

A

B

B



C

2x5 POS UP TO 2x25 POS CONFIGURATION

LATCHING FEATURES WHEN USED IN COMBINATION
WITH ACTIVE LATCH HOUSING 10073599

mat'l. code		surface		tolerance		projection		product family	
SEE NOTES		ISO 1302 ✓		ISO 406 ISO 101		mm		MINITEK	
ltr	ecn no	dr	date	tolerances unless otherwise specified		mm		title	
A	08-0113	LMU	08.01.17	angles	X.X ±0.3	mm		SHR HEADER	
				Linear	X.XX ±0.13	mm		2.00 VERTICAL TMT	
					X.XXX ±0.05	mm		scale 1:1	
				dr	L.MULIN	07.11.06	FCJ		dwg no
				engr	J.COMPAGNON	07.11.06			sheet 2 of -
				chr					size
				appd	JM.C	07.11.06			A3
sheet index	revision sheet								type
									CUSTOMER Drawing



Copyright FCJ

1

2

3

4

5

6